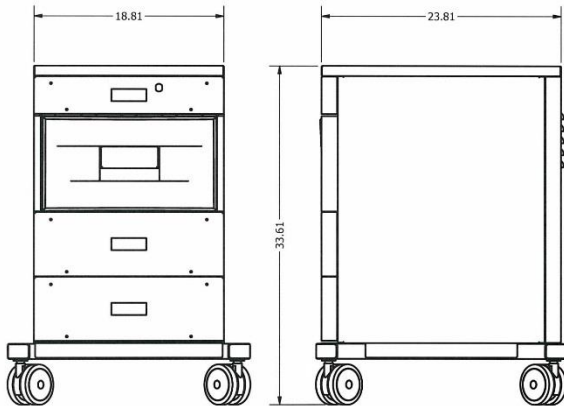
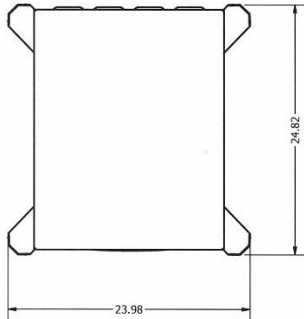


# The MicroCool™ Procedure Cart

*Four-in-One: Refrigerator / Procedure Table / Work Station / Storage*

The MicroCool™ Procedure Cart is a fully customizable unit that can be used in any medical setting. Hospitals and clinics can improve patient outcomes by having all the supplies for general patient care in one, well-organized procedure cart with built-in refrigeration for efficient and effective application. Having the ability to keep all supplies and refrigerated items bedside improves nurse productivity, reduces errors/mix-ups, and allows staff to spend more time bedside caring for patients. The MicroCool™ Procedure Cart comes standard with: one medical-grade MicroCool™ Refrigerator, one key lockable supply drawer, two storage drawers, deluxe locking casters and the option to choose the procedure cart color scheme that best matches patient rooms or facility decor.



## Procedure Cart Dimensions:

**Height:** 33.61 inches  
**Width:** 23.98 inches  
**Depth:** 24.82 inches  
**Top Workspace:** 23.81 inches

## Storage Drawer:

**Height:** 6.36 inches  
**Width:** 18.75 inches  
**Depth:** 23.81 inches

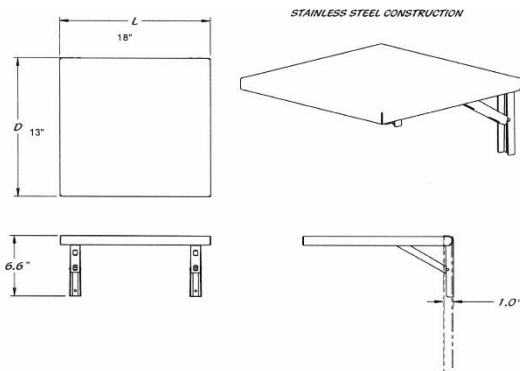
## Refrigerator Dimensions:

**Interior Drawer Height:** 7.69 inches  
**Interior Drawer Width:** 13.69 inches  
**Interior Drawer Depth:** 13.06 inches  
**Storage Capacity:** .79 cubic feet  
**Volume:** 20 liters

## Procedure Table Fold Down Shelf Dimensions:

**Height:** 6.6 inches  
**Width:** 18 inches  
**Depth:** 13 inches

## Procedure Table Fold Down Shelf



**For any additional specifications or refrigeration questions, please contact:**

Creche Innovations  
17745 Metcalf, One Penguin Plaza, Stilwell, KS 66085  
Phone: (913) 948-6290 Fax: (913) 948-6296  
[www.Crecheinnovations.com](http://www.Crecheinnovations.com)

